

**FEATURES**

- High end aluminum heatsink with a unique elegant design
- PCB with a high power Lumileds Powerleds in 2700K, 3000K and 4000K
- Illuxtron patented optical lens system that makes pin-hole light possible
- Anti glare cap that ensures no stray light. The total light opening is only 8mm!

**Bartenbach**  
lighting optics



**SPRINGS**

Standard with WS springs (gyproc/metal). Also available as above with CS springs (concrete).



**COLOURS**

Available colours:



Matt white RAL 9016 (XX=MW)  
Matt black RAL 9005 (XX=BL)

# Pointer 68 fix (Gen1)

Fixed

## SPECIFICATIONS

|                                   |   |
|-----------------------------------|---|
| <b>Beam angle (FWHM)</b>          | 35° (45° FWTM) / 60° (80° FWTM)   |
| <b>Fixture material</b>           | Die cast aluminium  |
| <b>Environment</b>                | Indoor  |
| <b>IK rate</b>                    | IK10  |
| <b>Operating temperature (Ta)</b> | -20°C / +45°C <sup>1</sup>  |
| <b>Safety marks</b>               | EN60598 / EN62031 / EN62471   |
| <b>EMC compliance</b>             | EN55015   |
| <b>Colour consistency (SDCM)</b>  | MacAdam step 3  |
| <b>Warranty</b>                   | 7 years * (within the European Union and the countries of the Free Trade Association for products delivered after 1 May 2015) |
| <b>Energy class</b>               | These products contains a light source of energy efficiency class F (2700K/3000K) / E (4000K)                                 |

This luminaire contains built-in LED lamps. There are no exchangeable parts inside the luminaire. EU 874/2012

<sup>1</sup> In applications with a flat roof (fi. car showrooms) the temperatures may exceed 45°C. Please ask our sales office for a special driver.



Only when the product is installed in a closed ceiling it may be exposed to water splashes, and only on its front side.

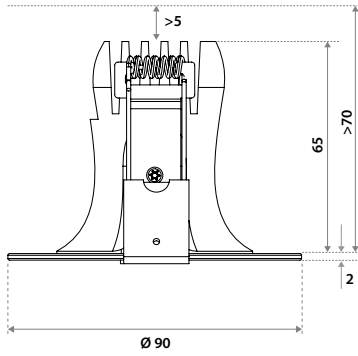
IP20

IP44

## POINTER 68 FIX VARIATIONS

|                     |          |   |        |
|---------------------|----------|---|--------|
| Pointer 68 fix LV   | 220-240V | incl. power supply                        | page 3 |
| Pointer 68 fix LV-C | 700mA    | to be connected to a central power supply | page 4 |

## DIMENSIONS



## HOLE SIZE



**Using WS springs:**  $\varnothing$  68-75 mm.  
Thickness ceiling 1-30 mm  
& recess depth 70 mm.

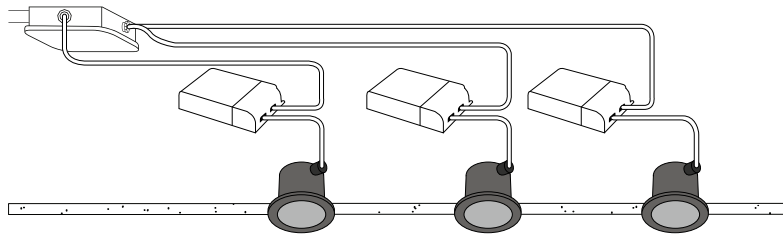


**Using CS springs:**  $\varnothing$  68-75 mm.  
Thickness ceiling 5-70 mm  
& recess depth 70 mm.

**POINTER 68 FIX** (dimmable - incl. individual power supply)

**220-240V**

Downlight incl. PSU



**ITEM SPECIFICATIONS (PART A)**

| Description                                    | Item code WS | Item code CS | Input    | W   | Lm  | Lm/W | CRI (typ.) | UGR  | Pf   | Ripple | Inrush current | B-16A Fuse |
|--|--------------|--------------|----------|-----|-----|------|------------|------|------|--------|----------------|------------|
| Pointer 68 fix LV 35° 500Lm 2700K Triac dim    | 072803XXWU13 | 072803XXLN13 | 220-240V | 9,2 | 500 | 54   | 85         | 7.2  | 0.96 | <20%   | 2A 50µS        | 50 pcs     |
| Pointer 68 fix LV 35° 525Lm 3000K Triac dim    | 072803XXWV13 | 072803XXLP13 | 220-240V | 9,2 | 525 | 57   | 85         | 7.3  | 0.96 | <20%   | 2A 50µS        | 50 pcs     |
| Pointer 68 fix LV 35° 550Lm 4000K Triac dim    | 072803XXWW13 | 072803XXLQ13 | 220-240V | 9,2 | 550 | 60   | 85         | 7.5  | 0.96 | <20%   | 2A 50µS        | 50 pcs     |
| Pointer 68 fix LV 60° 550Lm 2700K Triac dim    | 072803XXWX13 | 072803XXLR13 | 220-240V | 9,2 | 550 | 60   | 85         | 17.5 | 0.96 | <20%   | 2A 50µS        | 50 pcs     |
| Pointer 68 fix LV 60° 600Lm 3000K Triac dim    | 072803XXWY13 | 072803XXLS13 | 220-240V | 9,2 | 600 | 65   | 85         | 17.8 | 0.96 | <20%   | 2A 50µS        | 50 pcs     |
| Pointer 68 fix LV 60° 650Lm 4000K Triac dim    | 072803XXWZ13 | 072803XXLT13 | 220-240V | 9,2 | 650 | 71   | 85         | 18.0 | 0.96 | <20%   | 2A 50µS        | 50 pcs     |
| Pointer 68 fix LV 35° 500Lm 2700K 1-10V & Push | 072803XXXU13 | 072803XXYA13 | 220-240V | 9,2 | 500 | 54   | 85         | 7.2  | 0.95 | <3%    | 5A 50µS        | 50 pcs     |
| Pointer 68 fix LV 35° 525Lm 3000K 1-10V & Push | 072803XXXV13 | 072803XXYB13 | 220-240V | 9,2 | 525 | 57   | 85         | 7.3  | 0.95 | <3%    | 5A 50µS        | 50 pcs     |
| Pointer 68 fix LV 35° 550Lm 4000K 1-10V & Push | 072803XXXW13 | 072803XXYC13 | 220-240V | 9,2 | 550 | 60   | 85         | 7.5  | 0.95 | <3%    | 5A 50µS        | 50 pcs     |
| Pointer 68 fix LV 60° 550Lm 2700K 1-10V & Push | 072803XXXX13 | 072803XXYD13 | 220-240V | 9,2 | 550 | 60   | 85         | 17.5 | 0.95 | <3%    | 5A 50µS        | 50 pcs     |
| Pointer 68 fix LV 60° 600Lm 3000K 1-10V & Push | 072803XXXY13 | 072803XXYE13 | 220-240V | 9,2 | 600 | 65   | 85         | 17.8 | 0.95 | <3%    | 5A 50µS        | 50 pcs     |
| Pointer 68 fix LV 60° 650Lm 4000K 1-10V & Push | 072803XXXZ13 | 072803XXYF13 | 220-240V | 9,2 | 650 | 71   | 85         | 18.0 | 0.95 | <3%    | 5A 50µS        | 50 pcs     |
| Pointer 68 fix LV 35° 500Lm 2700K Dali         | 072803XXW013 | 072803XXL013 | 220-240V | 9,2 | 500 | 54   | 85         | 7.2  | 0.95 | <3%    | 5A 50µS        | 50 pcs     |
| Pointer 68 fix LV 35° 525Lm 3000K Dali         | 072803XXW113 | 072803XXL113 | 220-240V | 9,2 | 525 | 57   | 85         | 7.3  | 0.95 | <3%    | 5A 50µS        | 50 pcs     |
| Pointer 68 fix LV 35° 550Lm 4000K Dali         | 072803XXW213 | 072803XXL213 | 220-240V | 9,2 | 550 | 60   | 85         | 7.5  | 0.95 | <3%    | 5A 50µS        | 50 pcs     |
| Pointer 68 fix LV 60° 550Lm 2700K Dali         | 072803XXW313 | 072803XXL313 | 220-240V | 9,2 | 550 | 60   | 85         | 17.5 | 0.95 | <3%    | 5A 50µS        | 50 pcs     |
| Pointer 68 fix LV 60° 600Lm 3000K Dali         | 072803XXW413 | 072803XXL413 | 220-240V | 9,2 | 600 | 65   | 85         | 17.8 | 0.95 | <3%    | 5A 50µS        | 50 pcs     |
| Pointer 68 fix LV 60° 650Lm 4000K Dali         | 072803XXW513 | 072803XXL513 | 220-240V | 9,2 | 650 | 71   | 85         | 18.0 | 0.95 | <3%    | 5A 50µS        | 50 pcs     |

**ITEM SPECIFICATIONS (PART B)**

| Description             | Safety class | Energy class | Weight | Dimensions single carton | Quantity per carton | Expected lifespan B10 reported (25°C) |             |             |
|-------------------------|--------------|--------------|--------|--------------------------|---------------------|---------------------------------------|-------------|-------------|
|                         |              |              |        |                          |                     | L70B10                                | L80B10      | L90B10      |
| Pointer 68 fix LV 2700K | II           | F            | 304 gr | 105x105x105 mm           | 42 pcs              | >60.000 hrs                           | >60.000 hrs | >60.000 hrs |
| Pointer 68 fix LV 3000K | II           | F            | 304 gr | 105x105x105 mm           | 42 pcs              | >60.000 hrs                           | >60.000 hrs | >60.000 hrs |
| Pointer 68 fix LV 4000K | II           | E            | 304 gr | 105x105x105 mm           | 42 pcs              | >60.000 hrs                           | >60.000 hrs | >60.000 hrs |

All values are measured at 230V (+/- 7%)

**INCL. PSU**

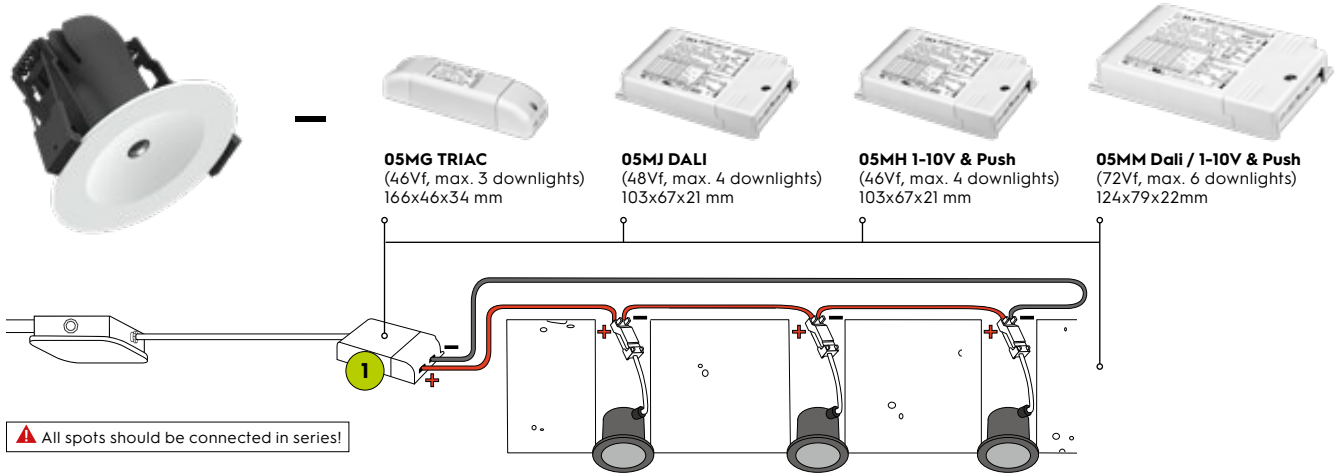
- PSU TCI 127046 Triac dim 102x38x21 mm
- PSU TCI 123400 1-10V & Push 102x38x21 mm
- PSU TCI 127576 Dali 147x44x22 mm



Cable 150 mm

**POINTER 68 FIX** (dimmable - excl. central power supply)

**700 mA**



**ITEM SPECIFICATIONS (PART A)**

| Description                                | Item code WS | Item code CS | Input | Vf   | W   | Lm  | Lm/W | CRI (typ.) | UGR  | Pf | Ripple | Inrush current | B-16A Fuse |
|--|--------------|--------------|-------|------|-----|-----|------|------------|------|----|--------|----------------|------------|
| Pointer 68 fix LV-C 700mA 35° 500 Lm 2700K | 072803XXWU11 | 072803XXLN11 | 700mA | 11,5 | 8,0 | 500 | 63   | 85         | 7.2  | x  | x      | x              | x          |
| Pointer 68 fix LV-C 700mA 35° 525 Lm 3000K | 072803XXWV11 | 072803XXLP11 | 700mA | 11,5 | 8,0 | 525 | 66   | 85         | 7.3  | x  | x      | x              | x          |
| Pointer 68 fix LV-C 700mA 35° 550 Lm 4000K | 072803XXWW11 | 072803XXLQ11 | 700mA | 11,5 | 8,0 | 550 | 69   | 85         | 7.5  | x  | x      | x              | x          |
| Pointer 68 fix LV-C 700mA 60° 550 Lm 2700K | 072803XXWX11 | 072803XXLR11 | 700mA | 11,5 | 8,0 | 550 | 69   | 85         | 17.5 | x  | x      | x              | x          |
| Pointer 68 fix LV-C 700mA 60° 600 Lm 3000K | 072803XXWY11 | 072803XXLS11 | 700mA | 11,5 | 8,0 | 600 | 75   | 85         | 17.8 | x  | x      | x              | x          |
| Pointer 68 fix LV-C 700mA 60° 650 Lm 4000K | 072803XXWZ11 | 072803XXLT11 | 700mA | 11,5 | 8,0 | 650 | 81   | 85         | 18.0 | x  | x      | x              | x          |

**ITEM SPECIFICATIONS (PART B)**

| Description                     | Safety class | Energy class | Weight | Dimensions single carton | Quantity per carton | Expected lifespan B10 reported (25°C) |             |             |
|---------------------------------|--------------|--------------|--------|--------------------------|---------------------|---------------------------------------|-------------|-------------|
|                                 |              |              |        |                          |                     | L70B10                                | L80B10      | L90B10      |
| Pointer 68 fix LV-C 700mA 2700K | III          | F            | 254 gr | 105x105x105 mm           | 42 pcs              | >60.000 hrs                           | >60.000 hrs | >60.000 hrs |
| Pointer 68 fix LV-C 700mA 3000K | III          | F            | 254 gr | 105x105x105 mm           | 42 pcs              | >60.000 hrs                           | >60.000 hrs | >60.000 hrs |
| Pointer 68 fix LV-C 700mA 4000K | III          | E            | 254 gr | 105x105x105 mm           | 42 pcs              | >60.000 hrs                           | >60.000 hrs | >60.000 hrs |

**ITEM SPECIFICATIONS (PART A)**

| Description                           | Item code    | Input    | Watt       | Current | Efficiency | Pf   | Ripple | Weight | Inrush current | B-16A Fuse |
|---------------------------------------|--------------|----------|------------|---------|------------|------|--------|--------|----------------|------------|
| PSU 32W 700mA Triac (I)               | 05MG03MLMF00 | 220-240V | 32W (46Vf) | 700mA   | 85%        | 0.97 | <3%    | 138 gr | 5A 50µS        | 50 pcs     |
| PSU 32W 700mA Dali (I)                | 05MJ03MLMF00 | 220-240V | 32W (48Vf) | 700mA   | 87%        | 0.98 | <3%    | 138 gr | 5A 50µS        | 50 pcs     |
| PSU 32W 700mA 1-10V & Push (I)        | 05MH03MLMF00 | 220-240V | 32W (46Vf) | 700mA   | 90%        | 0.95 | <3%    | 138 gr | 5A 50µS        | 50 pcs     |
| PSU 50W 700mA Dali / 1-10V & Push (I) | 05MM03MLMF00 | 220-240V | 50W (72Vf) | 700mA   | 89%        | 0.95 | <3%    | 218 gr | 20A 400µS      | 50 pcs     |

All values are measured at 230V (+/- 7%)

**INCLUDING CONNECTION BOX**

For installation to a central power supply.

